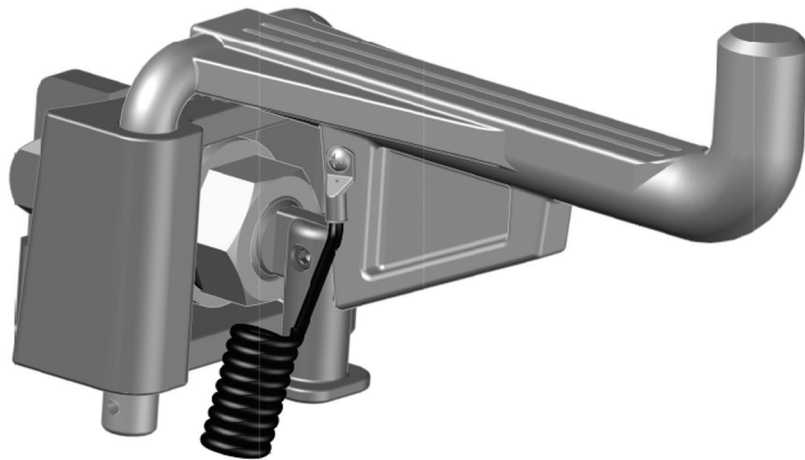


REMOVABLE POLE STEP #1027



*** Steps not to be used for hoisting or fall protection**

FEATURES:

- ✔ "Non Slip" Step for Safety
- ✔ Easy to install T-Bolt Designed to form a Strong Engineered Connection
- ✔ Mounts into a standard 1" Opening
- ✔ Designed for Use on Steel or Composite Poles
- ✔ Turned-up "Boot Stop" at Outside Edge of Step for Safety
- ✔ Patent Pending
- ✔ Safety Pin

PART NUMBERS:

Removable Pole Step
(Complete Assembly)
#1027

CARTON QUANTITY:

1027 – 12

CARTON WEIGHT:

1027 – 45 lbs