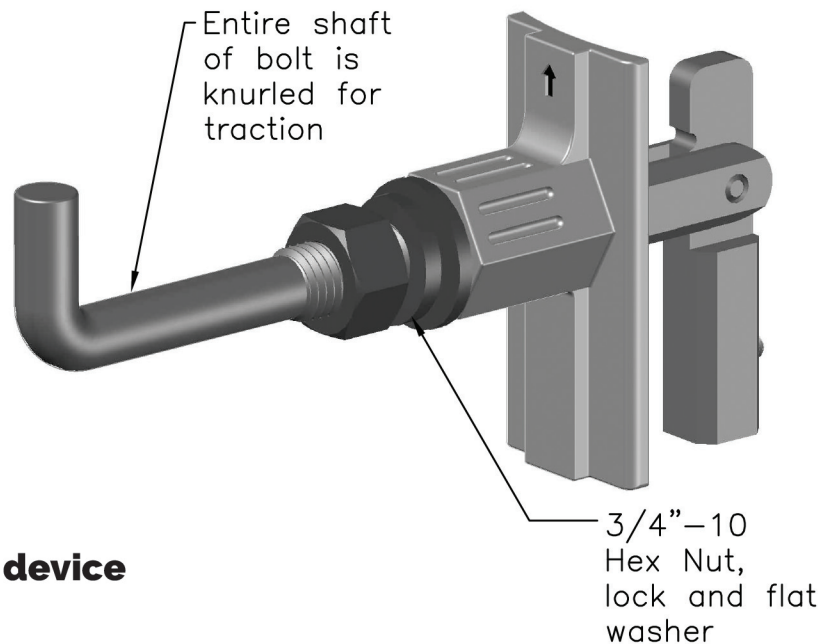
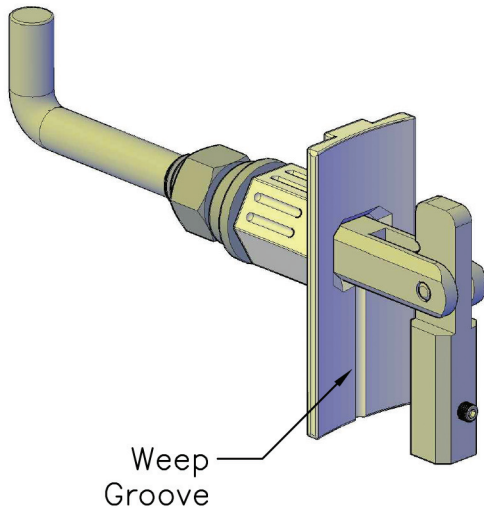


T BOLT STEP #1008



*** Steps not to be used as a hoisting device**

Features:

- ✓ Easy Installation and Removal
- ✓ Mounts into 1" Diameter Opening
- ✓ One Step for Pole Thicknesses Up To 40MM
- ✓ Stainless Steel Construction
- ✓ No Loose Parts
- ✓ Stainless Steel Step Rated to 3,000LBS
- ✓ Patent Pending

PART NUMBERS:

1008

CARTON QUANTITY:

15

CARTON WEIGHT:

49 lbs