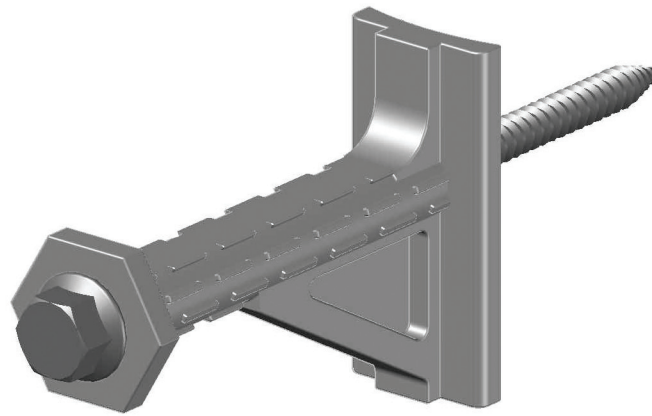


WOOD POLE CLIMBING STEP – #1003W



*** Steps not to be used as a hoisting device**

FEATURES:

- ✔ One piece step construction
- ✔ Aluminum “non-slip” housing
- ✔ Easy lag bolt installation
- ✔ Oversized Hexagon “boot stop” at outside edge of step for safety
- ✔ Safer than existing step bolts
 - ✔ No impaling points
 - ✔ More comfortable for feet and hands

PART NUMBERS:

1003w

CARTON QUANTITY:

1003w – 20 steps

CARTON WEIGHT:

1003w – 47 lbs